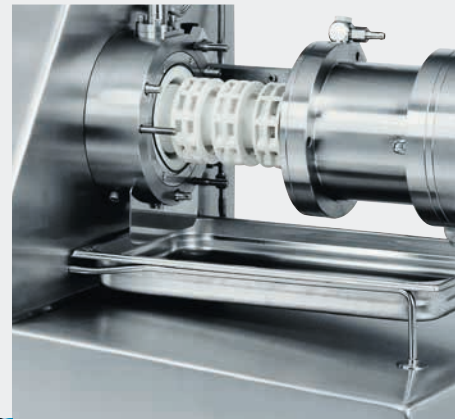


# DYNO<sup>®</sup>-MILL NPM *Nano Performance Mill*

The new dimension  
in wet ultrafine grinding  
and dispersion



# WAB – the expert in wet ultrafine grinding and dispersion

For decades WAB has been the unchallenged specialist in dispersion and grinding technology with its world-famous DYNO®-MILL. The exacting requirements for the final product also place extreme demands on the quality and wear resistance of the mills.

The new **Nano Performance Mill**, the DYNO®-MILL NPM, is used for continuous dispersion and wet grinding of low viscous to viscous products in the micron and nanometer ranges. The unique grinding bead separation system permits the use of ultrafine grinding beads from 0.05 – 0.2 mm, and the patented DYNO® Accelerators ensure stable processing even at maximum throughput rates.



*Ultrafine wet grinding and dispersion  
for the most demanding requirements*

## Features of the DYNO®-MILL NPM – Nano Performance Mill

- Patented DYNO® Accelerators ensure powerful hydraulic movement of the grinding beads and guarantee high and uniform energy input for low viscous to viscous products
- Unique, dynamic separation system for optimum, stable process control using the finest grinding beads from 0.05 to 0.2 mm
- Ideal for continuous and discontinuous operation with constant efficiency and achievement of the narrowest possible particle size ranges
- Guaranteed long service life and nonmetallic grinding with the use of high-quality ceramic components (SiC, ZrO<sub>2</sub>)
- Low power consumption (kWh/kg product) thanks to efficient energy input
- Low process volume and ideal cooling properties permit processing of heat-sensitive products
- Gentle hydrodynamic processing
- Easy operation, recording of operating data and guaranteed reproducibility with the modern WAB-VIEW process control system
- Extremely simple cleaning with small quantities of fluids and ease of handling with low operation and maintenance costs thanks to the smooth design of the grinding chamber.
- with the unique, patented grinding principle, the DYNO®-Accelerator, best product quality with the most sharply defined ranges of fine grain particles in the range <100 nm to be obtained

# Nothing but the best | for your products and performance



## Top quality comes from the use of high-grade materials

Maximum quality requirements, metal-free grinding/dispersion, high wear resistance and long service life mean that only the best materials are used in the DYNO®-MILL NPM. High-strength yttria/zirconia ceramic materials and silicon carbide are used for wear parts which come in contact with the product.

## Ease of handling with low operating and maintenance costs

The DYNO®-MILL NPM is well engineered and can be

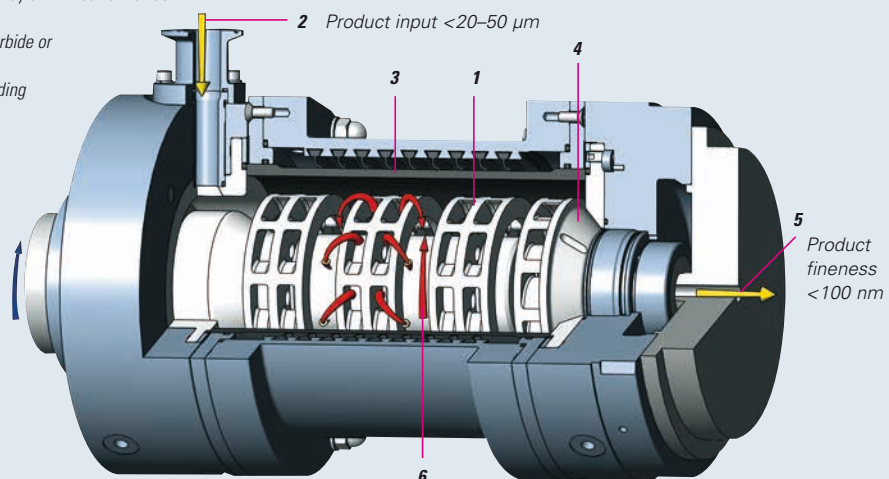
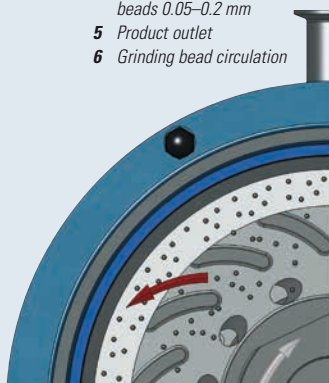
perfectly adapted to accommodate all user requirements. Operation, cleaning and opening for service are extremely simple. The components have smooth surfaces and are designed for easy access, enabling cleaning with the smallest possible quantities of solvents/fluids.

## WAB VIEW: modern process control guarantees reproducibility

In addition to clear, simple operation of the mill, the WAB VIEW control guarantees that all process parameters can be monitored. The PLC control is modular and extendible (data acquisition, process control via product temperature or power input, communications via modem, connection to PC or process control system).

### Mode of operation

- 1 DYNO®-Accelerators in hardened chrome alloy or in zirconium oxide
- 2 Product inlet/ grinding bead inlet
- 3 Coolable grinding container with silicon carbide or zirconium oxide grinding cylinder
- 4 Dynamic separation system for use of grinding beads 0.05–0.2 mm
- 5 Product outlet
- 6 Grinding bead circulation



### TECHNICAL DATA

TYPE	GRINDING CHAMBER VOLUME l	CAPACITY RANGE l/h	MILL DRIVE kW	SEPARATOR DRIVE kW	GRINDING BEADS ø mm	COOLING WATER CONSUMPTION l/h	WEIGHT kg	DIMENSIONS L/W/H mm
<b>NPM Pilot</b>	<b>2.0</b>	<b>10–100</b>	<b>11.0</b>	<b>2.0</b>	<b>0.05–0.2</b>	<b>≤1,000</b>	<b>900</b>	<b>1,400x700x1,700</b>

# New products and applications |

## thanks to the latest grinding technology

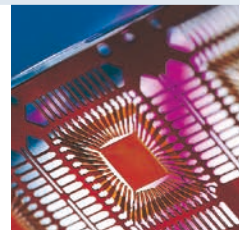


The ultramodern grinding technology of the DYNOMILL NPM sets new standards in countless branches of industry. The following is a small selection.

- |                     |   |                                    |                               |
|---------------------|---|------------------------------------|-------------------------------|
| ■ Pharmacology      | Dissolution of active ingredients, cancer therapy | ■ Paints and printing inks         | Transparency and gloss        |
| ■ Cosmetics         | Absorption (UV protection)                        | ■ Dental fillings                  | Homogeneity                   |
| ■ Surfaces          | Extreme hardness, self-cleaning                   | ■ Microelectronics, semiconductors | Conductivity, barrier effects |
| ■ Coatings          | Nonstick properties, corrosion protection         | ■ Microbiology                     | Microbiocide function         |
| ■ Life science      | Bioactive surfaces                                | ■ Ceramics                         | Surface activity              |
| ■ Pigments          | Color intensity, brilliance                       | ■ Batteries, catalysts             | Capacity                      |
| ■ Ink jet ink       | Colorfastness and lightfastness                   | ■ Biotechnology                    | Cell disruption               |
| ■ Automobile paints | Scratch resistance, colour effects                | ■ Agricultural chemistry           | Effectiveness                 |

### Test the performance of the future

You can experience the future live in our pilot plant: test the DYNOMILL NPM and let yourself be surprised by its amazing capacity. We will be pleased to arrange an appointment for you as well as to support you with process engineering advice and services.



### WAB global: our service and sales network

With over 40 sales and service locations, our global network is ready to serve our customers with competent advice and support, always guaranteeing fast response and hence the shortest possible outage times. In addition to the extensive stores at our headquarters, our subsidiaries in Germany and France as well as most sales and service locations maintain extensive spares.

WAB-GROUP

WAB

#### Willy A. Bachofen AG

Junkermattstrasse 11  
P.O. Box 944  
4132 Muttenz 1  
Switzerland  
Tel. +41 61 6867 100  
wab@wab-group.com  
www.wab-group.com

#### WAB Machinery (Shenzhen) Co., Ltd.

Unit 102, Floor 1, Plant Building 1  
Everbrite Technology Park, Minqing Road  
Longhua District, Shenzhen – 518109  
China  
Tel. +86 755 2813 5108  
wab-cn@wab-group.com  
www.wab-group.com

#### WAB Machinery (Shenzhen) Co., Ltd.

Room 1710, Kerry Everbright City, Phase 1  
No. 218 Tianmu Road West  
Jing'an District, Shanghai – 200070  
China  
Tel. +86 21 6380 6481  
wab-cn@wab-group.com  
www.wab-group.com

#### WAB India Pvt. Ltd.

Plot No. D 36/3B  
T.T.C. Industrial Area, Turbhe  
Navi Mumbai – 400 705  
India  
Tel. +91 22 613 171 00  
wab-in@wab-group.com  
www.wab-group.com

#### WAB US Corp.

3 Pearl Court, Suite E  
Allendale, NJ 07401  
USA  
Tel. +1 973 873 9155  
wab-us@wab-group.com  
www.wab-group.com

#### Willy A. Bachofen GmbH

Liebigstrasse 16  
61130 Nidderau-Heldenbergen  
Germany  
Tel. +49 6187 9394 0  
wab-de@wab-group.com  
www.wab-group.com

#### Willy A. Bachofen S.à.r.l.

3 rue Paul Henri Spaak  
68390 Sausheim  
France  
Tel. +33 389 31 17 00  
wab-fr@wab-group.com  
www.wab-group.com

#### WAB Israel Corp Ltd

17th floor, B.S.R 2 Building  
1 Ben Gurion Str., Bnei Brak 5120149  
Israel  
Tel. +972 3 6142303  
wab-il@wab-group.com  
www.wab-group.com